

Brightclick Solutions Sdn Bhd would like to introduce Peplink Internet Load Balancer to serve your corporate demand and needs on:

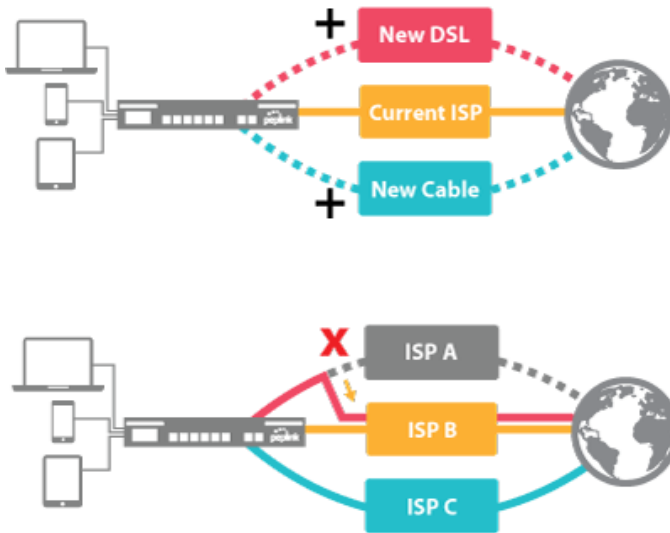
- 1) Internet Bandwidth Increase
- 2) Internet Load Sharing
- 3) Internet Redundancy, Backup and Fail Over
- 4) Equipment and Internet High Availability
- 5) And Others



### Peplink Internet Load Balancer Features:

- 1) Link Aggregation & Load Balance
- 2) Intelligent Failover
- 3) Authoritative DNS & Inbound Load Balance \*
- 4) Drop In Mode – Fast deployment and minimized down time \*
- 5) QoS for VoIP & E-commerce \*
- 6) 7 Load Balance Algorithms (Weight Control) \*
- 7) Dual Flash
- 8) Traffic Reporting
- 9) Authoritative DNS & Inbound Load Balance
- 10) User Group Bandwidth Control \*
- 11) High Availability - Hardware 1+1 backup \*
- 12) VPN Load Balance & Failover\*
- 13) Site-to-Site VPN Bonding \*
- 14) 3G/4G Modem Support \*

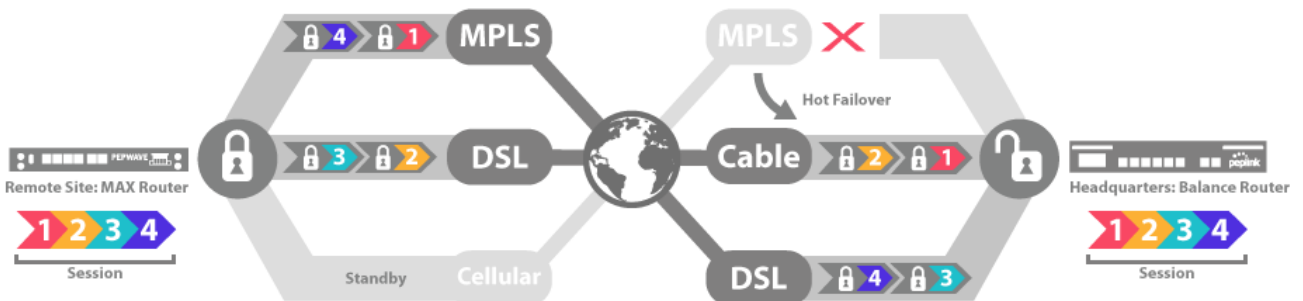
\* Depends on Model



### Peplink SpeedFusion

**2** Packets get sent through each WAN link through the SpeedFusion tunnel.

**3** VPN traffic can fail-over in under 1 second. Session persistent apps stay up.



**1** Each Session gets broken down into packets. Each packet gets 256bit AES encryption.

**4** Packets get unencrypted and re-assembled into the original session.

	20	30 LTE	One	210/310	305	380	580	710	1350	2500 <sup>11</sup>
Designed For	Power User & Home Office		Small Business		Mid-Size Business			Large Enterprise/Campus		
Ethernet WAN Ports	2 <sup>5</sup>	2	2/5 <sup>6</sup> (GE)		3 (GE)			7 (GE)		
LAN Ports	4 (GE)	4 (GE)	8/5 <sup>6</sup> (GE)		3 (GE)			3 (GE)		
USB WAN Modem Port <sup>1</sup>	1	1	1		1			1		
Embedded LTE Modem	○	1	○		○			○		
Wi-Fi Interface	○	○	802.11ac AP <sup>7</sup>		○			○		
Recommended Users <sup>2</sup>	1-60	1-60	1-60		25-150			500-2000		
Router Throughput <sup>3</sup>	150Mbps	150Mbps	600Mbps/400Mbps <sup>9</sup>		350Mbps			1Gbps		
Load Balancing/Failover	●	●	●		●			●		
Drop-In Mode	○	○	○		●			●		
Inbound Load Balancing	○	○	○		●			●		
SpeedFusion Bandwidth Bonding	○	○	Add-On		Add-On			●		
Number of SpeedFusion Peers <sup>4</sup>	○	○	2		2/20 <sup>8</sup>			20		
SpeedFusion Throughput <sup>3</sup>	○	○	30Mbps		80Mbps			150Mbps		
L2TP / PPTP VPN Server	●	●	●		●			●		
IPsec VPN (Network-to-Network)	●	●	●		●			●		
Manage Pepwave AP	●	●	●		●			●		
Maximum Number of AP Supported	10	10	10		30			50		
Manage Remote AP & Multiple Config Profiles	○	○	○		● <sup>10</sup>			● <sup>10</sup>		
Bandwidth Usage Monitor	●	●	●		●			●		
QoS for VoIP and E-commerce	●	●	●		●			●		
User Groups Bandwidth Control	●	●	●		●			●		
Web Blocking	●	●	●		●			●		
1U Rackmount	○	○	○		●			●		
High Availability	○	○	○		●			●		
LAN Bypass	○	○	○		●			●		
Dual Hot Swap Power Supply	○	○	○		○			○		



Balance 20

Height 1.38 inches (3.5 cm)  
Width 10.2 inches (26 cm)  
Depth 5.24 inches (13.3 cm)  
Weight 2.2 pounds (1 kg)



Balance One

Height 1.2 inches (3 cm)  
Width 10.7 inches (27.1 cm)  
Depth 6.3 inches (16 cm)  
Weight 1.22 pounds (0.56 kg)



Balance 210

Height 1.73 inches (4.4 cm)  
Width 11.6 inches (29.3 cm)  
Depth 10.7 inches (27.3 cm)  
Weight 7.7 pounds (3.5 kg)



Balance 310



Balance 305

Height 1.73 inches (4.4 cm)  
Width 16.8 inches (42.6 cm)



Balance 380

Balance 305/380/580  
Depth 12 inches (30.5 cm)  
Weight 8.8 pounds (4 kg)



Balance 580



Balance 710

Balance 710/1350  
Depth 12 inches (30.5 cm)  
Weight 15.4 pounds (7 kg)



Balance 1350



Balance 2500



Balance 2500-SFP



Balance 2500-2SFP

Balance 2500  
Depth 21.7 inches (55 cm)  
Weight 26.5 pounds (12 kg)

Please email or call us to request for a presentation